

## SCW-R Battery Powered Brushless Torque Wrench with Corner & Angle Mode

Model	Drive square	Torque	Speed	Weight	Dimensions				Noise
		(Nm)	(Rpm)		A	B	C	D	
SCW-8R	0.75"	240-800	6.5	4	282	69	69	198	80
SCW-12R	0.75"	360-1200	5.2	4	282	69	69	198	80
SCW-21R	1"	630-2100	3	4.9	290	76	76	201	80
SCW-40R	1" / 1.5"	1200-4000	2.2	5.9	306	82	82	204	80
SCW-45R	1" / 1.5"	1350-4500	1.9	6	330	88	88	206	80

Grade: Industrial

Customized support:

OEM, ODM, OBM

Model Number: SCW-R

Type: Torque Wrench

Rated Voltage: 18V

Max. Torque: 4500 Nm

No-Load Speed: 13000rpm

Weight: 4-6 kg

Power Source: Battery

Motor Type: Brushless Motor

Minimum Torque: 338Nm

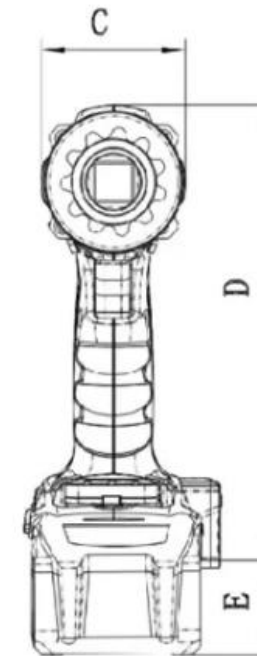
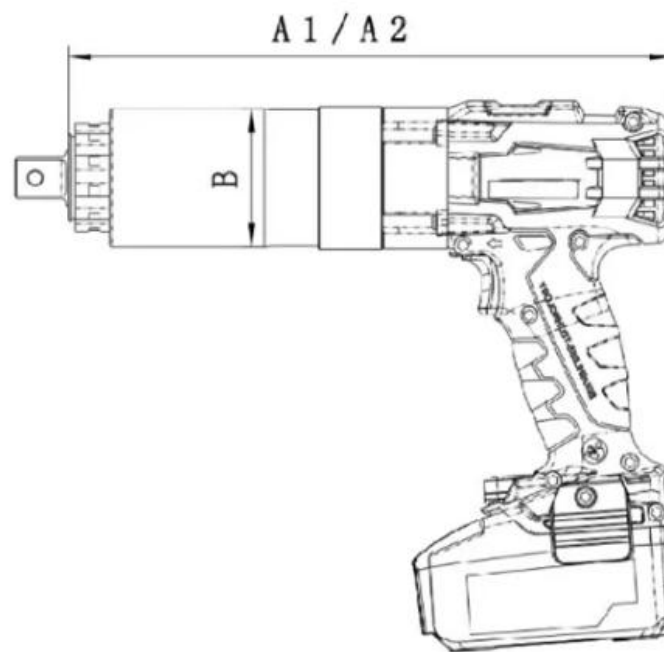
Maximum Torque: 1350Nm

RPM: 6.5

Square Drive Size: 3/4" / 1" inch

LCD Display: Yes

Accuracy:  $\pm 4\%$



## Features

1. 0.96 inch IPS LCD display
2. The use of brushless motor eliminates the need to replace carbon brushes
3. Digitally adjust and display the working parameters of torque and wrench
4. Any value of torque can be set within the torque range, and 1nm adjustment is supported
5. Multi mode regulation, digital torque regulation or 1 to 99 gear torque regulation
6. Programmable preset 10 common output torques or gears
7. The use of multi polar planetary gearbox has high reliability and stability
8. Optional corner + angle mode