

Rexroth

Rotary drilling rig slew gearbox



For the swing drive of the superstructure, e.g. of excavators, cranes, forestry machines, ship unloaders

For use in all applications where precise positioning is necessary

Two- or three-stage planetary gearbox

For attachment of Rexroth fixed or variable motors in space-saving plug-in design

Torque output 4000 ... 68300 Nm

Material: Cast Iron

Transport Package Wooden Box

Warranty: 1 Year

Place of Origin : Zhejiang, China

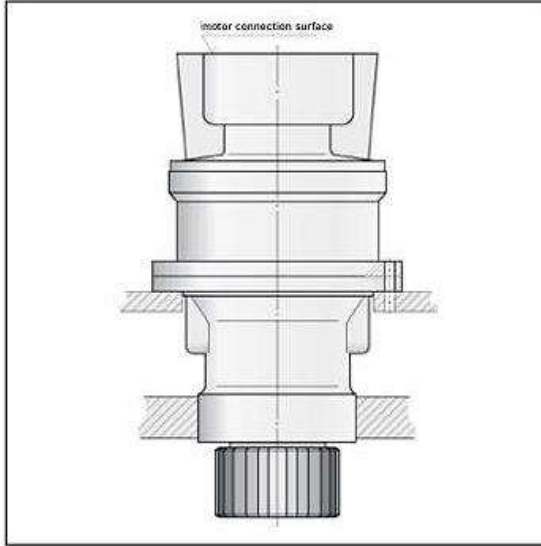
Production Capacity: 800 Piece/
Pieces Per Month

Sample: Contact us for free samples

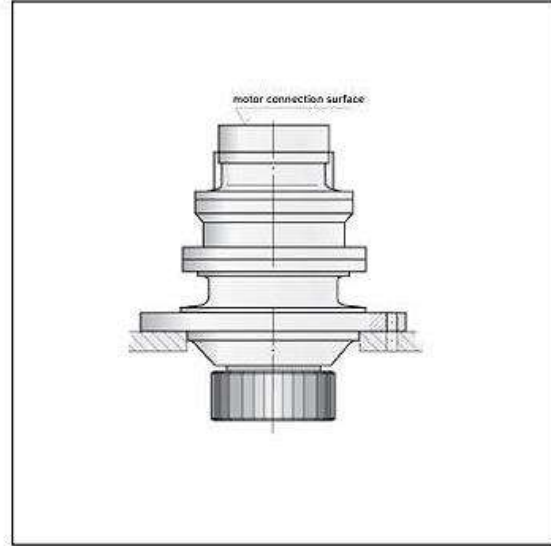
Rexroth

Rotary drilling rig slew gearbox

Type of Construction



GFB T2/T3 1000
Version 1000 = 2 centering seats
T2 = 2-stage, T3 = 3-stage



GFB T2/T3 2000
Version 2000 = 1 centering seat
T2 = 2-stage, T3 = 3-stage

Ordering Code

MOBILEX GFB 26 T2 1000



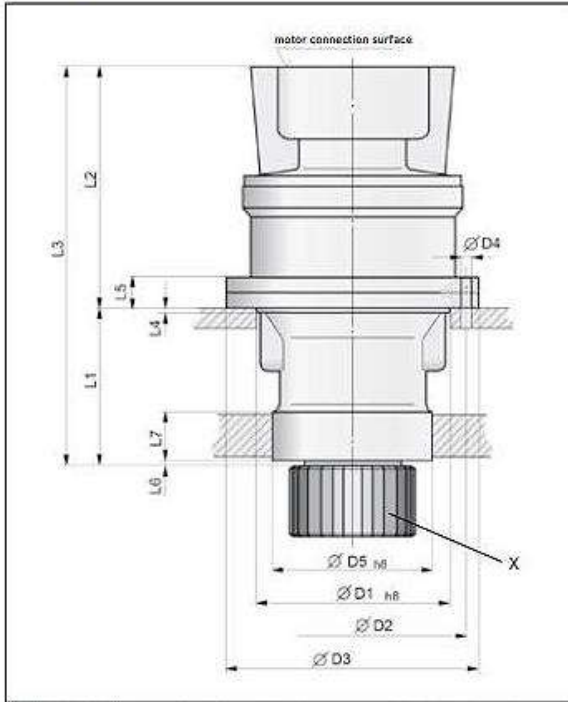
Swing Drives MOBILEX GFB - Overview

Type/Version GFB	Output Torque Excavator	Output Torque Crane	Gear Ratio from/to <i>i</i>
	$T_{2 \max}$ Nm	$T_{2 \max}$ Nm	
GFB 9 T2	4,000	7,000	33.4
GFB 17 T2	7,700	12,700	32.5 - 45.7
GFB 24 T2	10,600	17,500	149.1
GFB 26 T3	10,000	16,500	43.9 - 51.5
GFB 36 T3	17,500	28,500	117.6 - 153.6
GFB 50 T2	22,000	38,000	32.3
GFB 50 T2	22,000	38,000	147.4
GFB 80 T3	38,200	68,300	186.4
GFB 84 T2	38,200	68,300	35.1

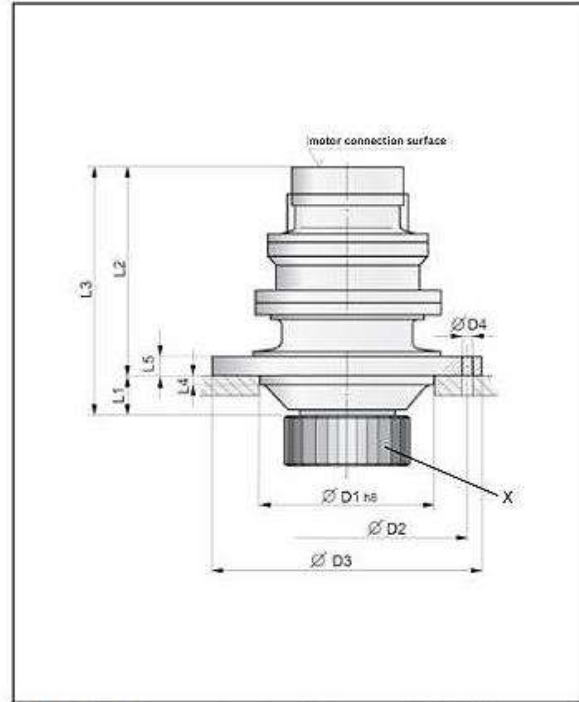
Rexroth

Rotary drilling rig slew gearbox

Dimensions



GFB T2/T3 1000 • X = The gearing of the output pinion (modul, number of teeth, tooth width, etc.) is governed by the customer's ring gear.



GFB T2/T3 2000 • X = The gearing of the output pinion (modul, number of teeth, tooth width, etc.) is governed by the customer's ring gear.

Technical Data

Type/Version GFB	Output Torque		Gear Ratio <i>i</i>	Holding Torque $T_{Br\ max}$ Nm	Hydraulic Motor
	Excavator $T_{2\ max}$ Nm	Crane			
GFB 9 T2 2000/2	4,000	7,000	33.4	245	A6VM 55 / A2FM 56
GFB 17 T2 1000	7,700	12,700	32.5 • 45.7	390	A2FE 45 • 56
GFB 17 T2 2000	7,700	12,700	45.7	390	A2FE 45 • 56
GFB 24 T2 1000/1	10,600	17,500	149.1	249	A2FM 32
GFB 26 T2 1000	10,000	16,500	43.9 • 51.5	613	A2FE 80
GFB 26 T2 2000	10,000	16,500	43.9 • 51.5	613	A2FE 80
GFB 36 T3 1000/1	17,500	28,500	117.6 • 153.6	332	A2FM 45
GFB 36 T3 1000/2	17,500	28,500	117.6 • 153.6	332	A2FE 45 • 63

Rexroth

planetary gearboxes for mobile applications



For travel drives in tracked and wheeled vehicles

Two- or three-stage planetary gearbox

Can be combined with Rexroth's extensive line of motors

Perfect matching of the gearbox ratio with the Hydraulic Motor

Torque output 7000 ... 130000 Nm

Material:Cast Iron

Transport Package Wooden Box

Warranty:1 Year

Place of Origin:Zhejiang, China

Production Capacity:800 Piece/
Pieces Per Month

Sample:Contact us for free samples

Rexroth

planetary gearboxes for mobile applications

Technical data

Size GFT	Nominal output torque	Ratio	Brake torque static	Brake torque dynamic	Appr. weight without motor	Compatible hydraulic motors
	Nm	<i>i</i>	Nm	Nm	kg	
8105 E	7000	16.3 • 19.1 • 25.1 ⁸⁾ • 32.2 ⁸⁾	-	-	46.5	A10VM 45 • 63
8110 E	10000	25.2 • 39.2 • 47.1 • 54.7	-	-	55	A2FEN 28 • 32 • 37 • 45 / A2FEM 23 • 28 • 32 / A6VE 28 / A10FE 28 ⁴⁾ • 40 ⁴⁾ • 45 ⁴⁾ / A10VE 28 ⁵⁾ • 45 ⁵⁾
8120 E ¹⁾	15000	19.0 • 24.0 • 26.1 • 32.1 • 36.4 • 39.1 ⁹⁾	-	3)	80	A2FEN 56 • 63 • 80 / A2FEM 45 • 56 • 63 / A2FEH 45 • 56 • 63 / A6VE 55 • 60 • 80 ^{6) 7)} • 85 ^{6) 7)}
8130 E ¹⁾	20000	26.0 • 32.3 • 39.2 • 50.6 ⁹⁾	-	3)	85	A2FEN 63 • 80 • 90 ⁷⁾ • 107 ⁷⁾ / A2FEM 56 • 63 • 80 ⁷⁾ • 90 ⁷⁾ / A2FEH 56 • 63 • 80 ⁷⁾ • 90 ⁷⁾ / A6VE 55 • 60 • 80 ⁷⁾ • 85 ⁷⁾
8140 F	30000	90.4 • 102.8 • 120.4 • 137.1	-	-	95	A2FEN 56 • 63 • 80 / A2FEM 45 • 56 • 63 / A2FEH 45 • 56 • 63 / A6VE 55 • 60
8144 E ^{6) 9)}	30000	23.0 • 26.4 • 31.3	-	3)	180	A6VE 115 • 160 • 170
8145 F	36000	115.0 • 138.8 • 161.0	-	-	120	A2FEN 56 • 63 • 80 / A2FEM 45 • 56 • 63 / A2FEH 45 • 56 • 63 / A6VE 55 • 60 • 80 • 85
8150 E ¹⁾	42000	32.3 • 35.4 • 41.4 • 50.6	-	3)	200	A2FEN 90 • 107 / A2FEM 80 • 90 / A2FEH 80 • 90 / A6VE 80 • 85 • 107 • 115 • 160 • 170
8160 F	52000	73.8 • 100.5 • 116.1 • 138.9 ⁹⁾	-	-	240	A2FE • 125 / A2FEN 90 • 107 / A2FEM 80 • 90 • 107 / A2FEH 80 • 90 • 107 / A6VE 80 • 85 • 107 • 115
8170 F	70000	95.0 • 107.3 • 124.1 • 140.5	-	-	250	A2FE • 125 / A2FEN 90 • 107 / A2FEM 80 • 90 • 107 / A2FEH 80 • 90 • 107 / A6VE 107 • 115
8180 E	70000	44.1 • 50.6 • 54.7	-	-	330	A6VE 160 • 170 • 200 • 215
8185 F	100000	76.4 • 98.7 • 110.0 • 126.6 • 147.0 ⁹⁾ • 185.1 ⁹⁾	-	-	400	A2FE 125 • 160 • 180 / A2FEM 107 / A2FEH 107 / A6VE 107 • 115 • 160 • 170
8190 F	130000	93.8 • 121.1 • 140.1 • 167.9 ⁹⁾ • 209.0 ⁹⁾	-	-	460	A2FE 125 • 160 • 180 / A2FEM 107 / A2FEH 107 / A6VE 107 • 115 • 160 • 170

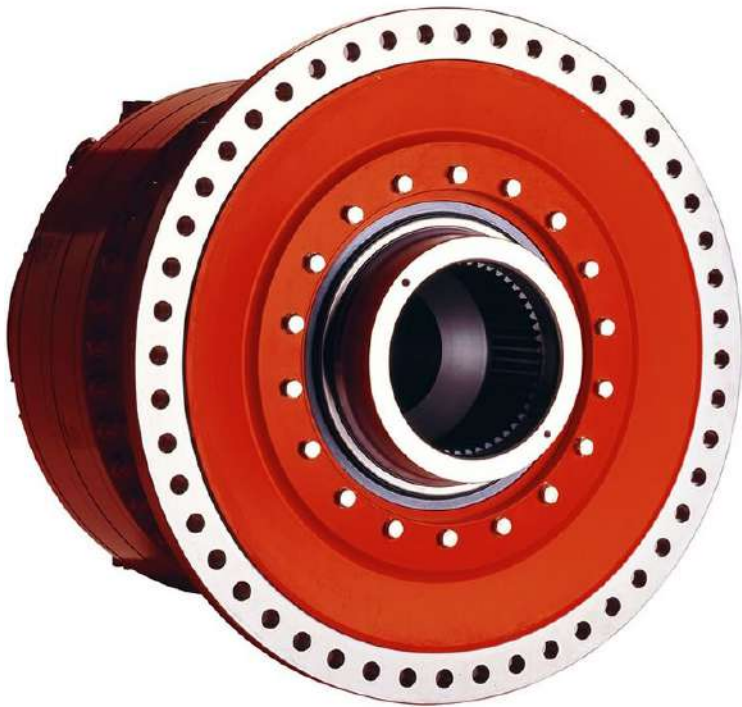
Other design variants on request

- 1) Size also available with dynamic brake (not technical combinable with all in the size listed hydraulic motors)
- 2) Depending on motor size
- 3) Device-specific
- 4) Motor mounting position 180° turned

- 5) Gearbox equipment with brake only with motor special construction
- 6) Only in combination with dynamic brake
- 7) Motor size cannot be combined with version T
- 8) On request
- 9) Ratio cannot be combined with disconnect mechanism

Rexroth

CAb/CA/CBP/CB/CBm Series Hägglunds Series Rexroth Radial Piston Motor



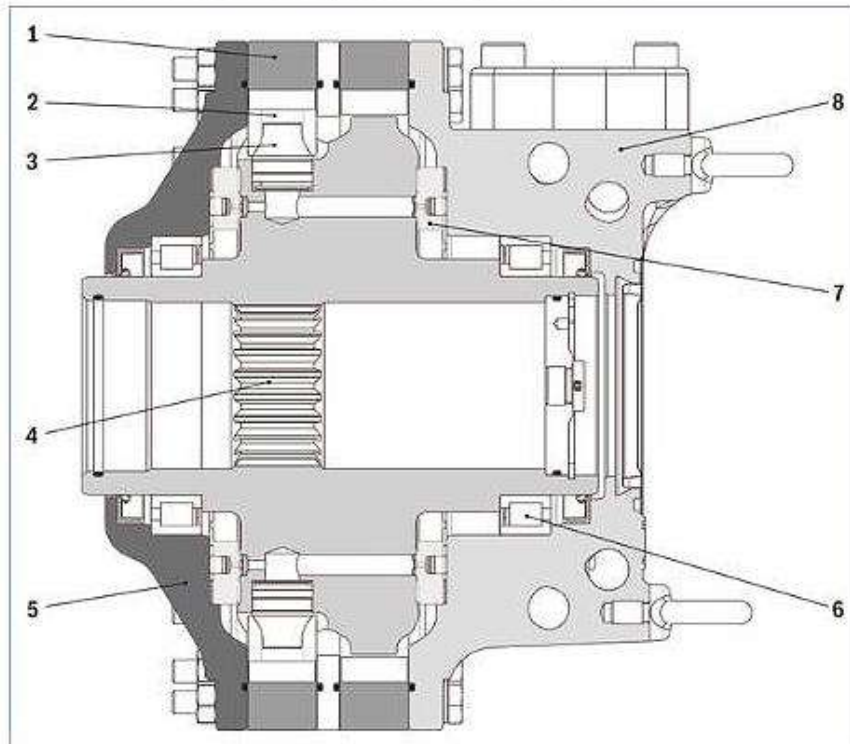
Model:CAb/CA/CBP/CB/CBm
Name:Radial Piston Motor
Motor Type:High Power Density Motors
Nominal Pressure: 300 bar
Place of Origin:Zhejiang, China
Power:Hydraulic Packaging & Delivery
Working pressure range:350 bar
Size:CAb-01-20/CA-7-210/CBP-80-840/CB-240-1120/CBm-01-12
Control mode:Pressure flow control
Material:cast iron
Operating mode:open and closed circuits
Warranty:1 Year
Minimum Order:1 Pieces
Supply Ability:1500 Piece/ Month
Sample:Contact us for free samples

Rexroth

CAb/CA/CBP/CB/CBm Series Hägglunds Series Rexroth Radial Piston Motor

✓ product description

cross-sectional view of a radial piston hydraulic motor



- 1 cam rings
- 2 cam rollers
- 3 plunger
- 4 hydraulic cylinder oil block, spline
- 5 housing cover
- 6 cylindrical roller bearings
- 7 distributor
- 8 coupling cover

Rexroth

CAb/CA/CBP/CB/CBm Series Hägglunds Series Rexroth Radial Piston Motor

▼ the type code

In order to identify Hägglunds equipment exactly, the following ordering code is used. These ordering codes should be stated in full in all correspondence e.g. when ordering spare parts.

01	02	03	04	05	06	07	08	09	10	11	12	13	14	15	16	17	18	19
CA	B			S														

motor series

01	Compact	CA
----	---------	----

model

02	essential	•	B
	top	-	P

base size

03	0010	0010
	0020	0020
	0030	0030
	0040	0040

Nominal size (specific torque in Nm/bar)

04	component size 10		0008 (8)	0010 (10)	0012 (12.5)	
			•	•	•	
04		0016 (16)	0018 (18)	0020 (20)	0022 (22.5)	0025 (25)
		•	•	•	•	•
	base size 30	0028 (28)	0030 (30)	0032 (32.5)	0035 (35)	0037 (37.5)
		•	•	•	•	•
04	base size 40		0040 (40)	0045	0050	
			•	-	-	

Installation of replacements, drive shafts