

Rexroth Hydraulic Motor

A2FM/A2FE/A2FMT Rexroth high-pressure motor



Name:compact high-pressure motor

Motor Type: short installation height

Nominal Pressure: 450 bar

Place of Origin:Zhejiang, China

Power:Hydraulic Packaging & Delivery

Working pressure range:500bar

control mode:Pressure flow control

Material:cast iron

Operating mode:open and closed circuits

Warranty:1 Year

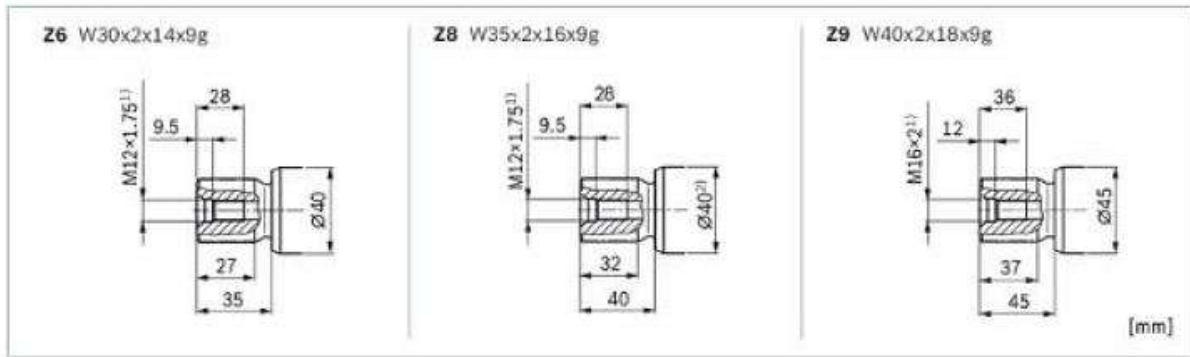
Minimum Order: 1 Pieces

Supply Ability: 1500 Piece/ Month

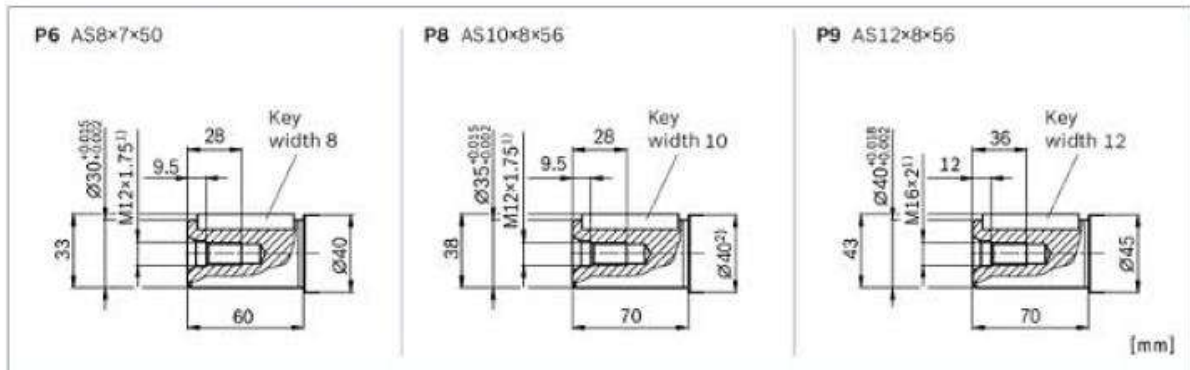
Sample:Contact us for free samples

Rexroth Hydraulic Motor

A2FM/A2FE/A2FMT Rexroth high-pressure motor



Parallel keyed shaft DIN 6885



- 1) Center bore according to DIN 332 (thread according to DIN 13)
- 2) For size 80, pressure range "M" and "H": $\varnothing 45$ mm

Rexroth Hydraulic Motor

A6VEM Rexroth High Speed Motor



Name: Universal High-Pressure Motor

Motor Type: Universal Motor

Nominal Pressure: 400 bar

Place of Origin: Zhejiang, China

Power: Hydraulic Packaging & Delivery

Working pressure range: 450 bar

control mode: Pressure flow control

Material: cast iron

Operating mode: open and closed circuits

Warranty: 1 Year

Minimum Order: 1 Pieces

Supply Ability: 1500 Piece/ Month

Sample: Contact us for free samples

Rexroth Hydraulic Motor

A6VEM Rexroth High Speed Motor

01	02	03	04	05	06	07	08	09	10	11	12	13	14	15	16	17	18	19	20	21
A6V	M						0		/	65	M	W	V	0						-

Axial piston unit

01	Bent-axis design, variable, nominal pressure 400 bar, maximum pressure 450 bar	A6V
----	--	-----

Operating mode

02	Motor	M
----	-------	---

Size (NG)

03	Geometric displacement, see technical data on page 9	055	080	107	140	160	200
----	--	-----	-----	-----	-----	-----	-----

Control device

				055	080	107	140	160	200	
04	Proportional control hydraulic	positive control	$\Delta p_{St} = 10 \text{ bar}$	•	•	•	•	•	•	HP1
			$\Delta p_{St} = 25 \text{ bar}$	•	•	•	•	•	•	HP2
		negative control	$\Delta p_{St} = 10 \text{ bar}$	•	•	•	•	•	•	HP5
			$\Delta p_{St} = 25 \text{ bar}$	•	•	•	•	•	•	HP6
	Proportional control electrical	positive control	$U = 12 \text{ V DC}$	•	•	•	•	•	•	EP1
			$U = 24 \text{ V DC}$	•	•	•	•	•	•	EP2
		negative control	$U = 12 \text{ V DC}$	•	•	•	•	•	•	EP5
			$U = 24 \text{ V DC}$	•	•	•	•	•	•	EP6
Two-point control hydraulic	negative control		-	-	-	•	•	•	H25	
			•	•	•	-	-	-	H27	
Two-point control electrical	negative control	$U = 12 \text{ V DC}$	-	-	-	•	•	•	EZ5	
		$U = 24 \text{ V DC}$	-	-	-	•	•	•	EZ6	
		$U = 12 \text{ V DC}$	•	•	•	-	-	-	EZ7	
		$U = 24 \text{ V DC}$	•	•	•	-	-	-	EZ8	
Automatic control high-pressure related, Positive control	with minimum pressure increase	$\Delta p \leq \text{approx. } 10 \text{ bar}$	•	•	•	•	•	•	HA1	
	with pressure increase	$\Delta p = 100 \text{ bar}$	•	•	•	•	•	•	HA2	
Automatic control speed related, negative control $p_{St} / p_{N0} = 5/100$	hydr. travel direction valve		•	•	•	•	•	•	DA0	
	electric travel direction valve	$U = 12 \text{ V DC}$	•	•	•	•	•	•	DA1	
	+ electric $V_{g \text{ max}}$ circuit	$U = 24 \text{ V DC}$	•	•	•	•	•	•	DA2	

Pressure control/override

				055	080	107	140	160	200		
05	Without pressure control/override			•	•	•	•	•	•	00	
	Pressure control fixed setting, only for HP5, HP6, EP5 and EP6			•	•	•	•	•	•	D1	
	Override of controls HA1 and HA2	hydraulic remote control, proportional			•	•	•	•	•	•	T3
		electric, two-point	$U = 12 \text{ V DC}$	•	•	•	•	•	•	•	U1
			$U = 24 \text{ V DC}$	•	•	•	•	•	•	•	U2
		electric and travel direction valve, electric	$U = 12 \text{ V DC}$	•	•	•	•	•	•	•	R1
$U = 24 \text{ V DC}$	•		•	•	•	•	•	•	R2		

Connector for solenoids¹⁾ (see page 62)

06	Without connector (without solenoid, only for hydraulic control)	0
	DEUTSCH - molded connector, 2-pin, without suppressor diode	P

• = Available ◦ = On request - = Not available

Rexroth Hydraulic Motor

A6VEM Rexroth High Speed Motor

