

O&K

F/S/FA Series O&K Travelling Reducer /Rotary Reducer /Cutting Reducer



Travelling Reducer Model:F130/F30/F13/F1300/F1800/F55

Rotary Reducer Model:S5/S13/S54

Cutting Reducer Model:FA40/FA55/FA80

Name:Reducer

Motor Type:High Torque Motors

Nominal Torque: 60000Nm

Place of Origin:Zhejiang, China

Power:Hydraulic Packaging & Delivery

Working Torque: 80000Nm

control mode:Pressure flow control

Material:cast iron

Operating mode:open and closed circuits

Warranty:1 Year

Minimum Order : 1 Pieces

Supply Ability : 1500 Piece/ Month

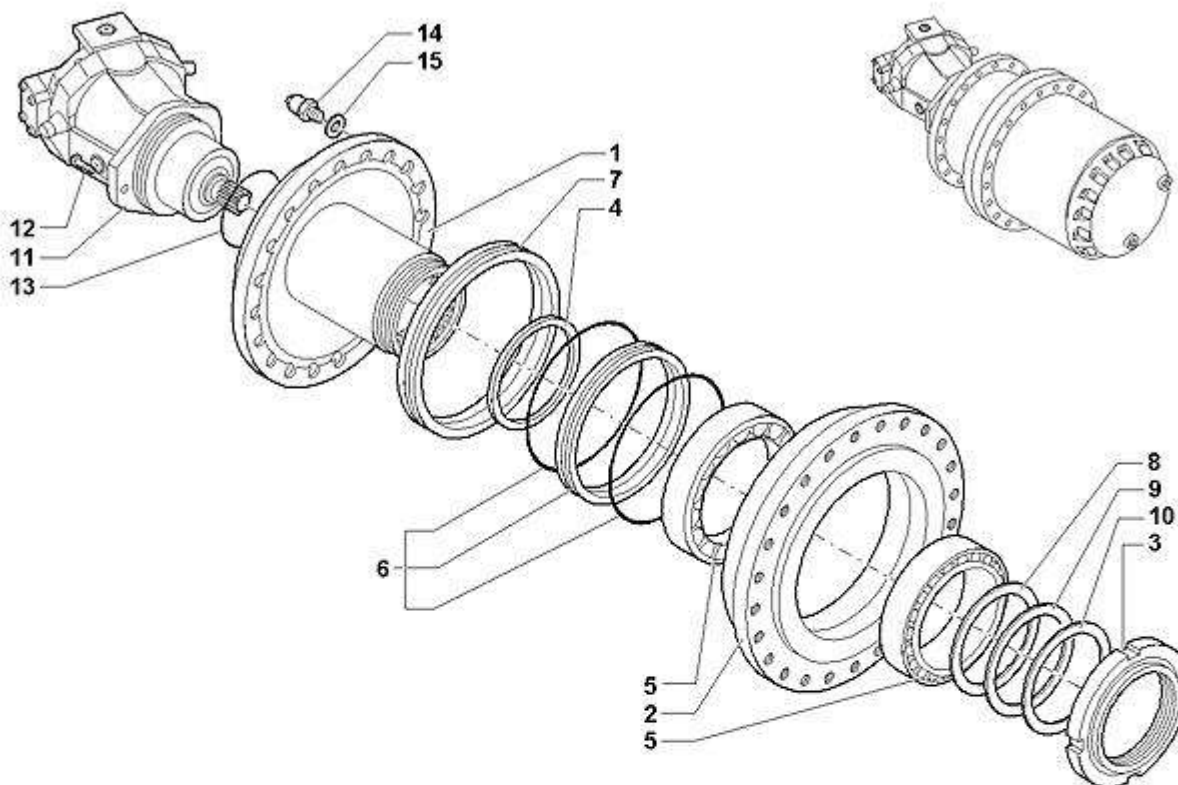
Sample:Contact us for free samples

**F/S/FA Series O&K Travelling Reducer
/Rotary Reducer /Cutting Reducer**

TRANSMISSION F100/192/V107F/MB
326493



GETRIEBE
TRANSMISSION



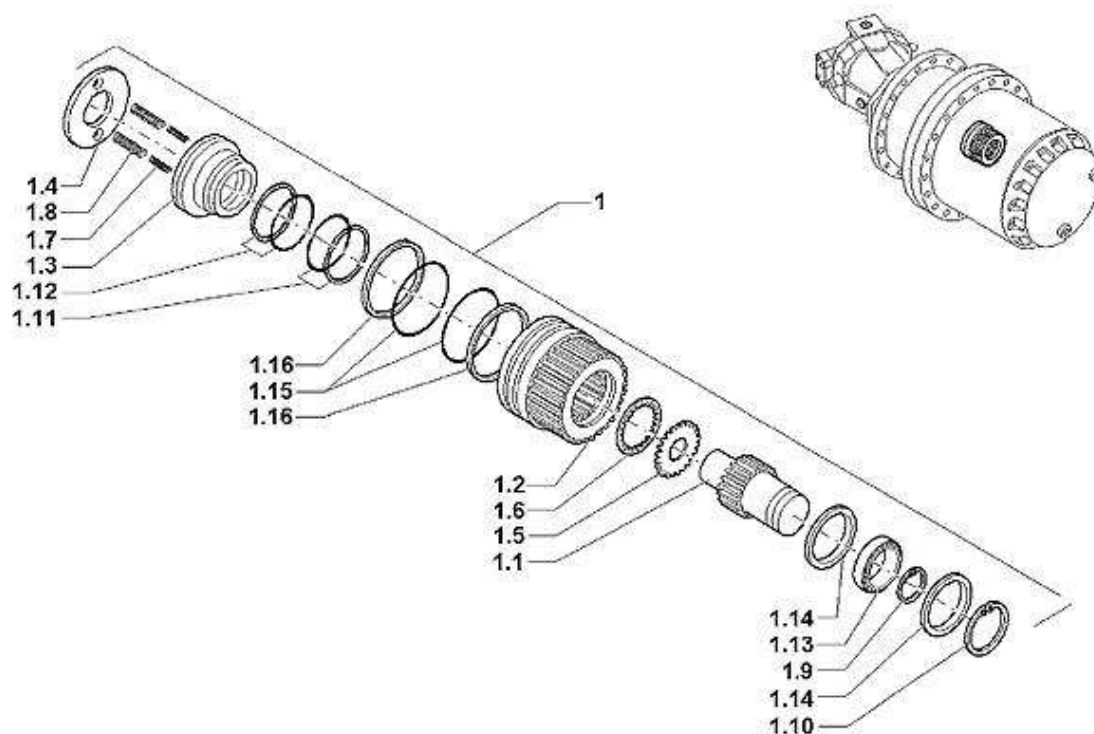
Pos.	Ref.	Old Ref.	Q.ty	Benennung	Description	Kit	Note
1	839030	1950396	1	Tragrohr	Hub		
2	836476	1950394	1	Nabe	Hub		
3	836477	1950405	1	Mutter	Ring nut		
4	836480	1950442	1	Ring	Ring		
5	022935	1740606	2	Kegelrollenlager	Roller Bearing		
6	830244	0102941	1	Gleitringdichtung	Duo-Cone Seal		
7	832192	1740609	1	V-Ring	V-Ring		
8	020841	1740608	1	Einstellring	Adjusting Ring		
9	020893	1758976	1	Einstellring	Adjusting Ring		
10	021828	2781750	1	Paßscheibe	Shim Ring		
11	830743	2458938	1	Verstellmotor	Servomotor		
12	021054	0054456	2	Schraube	Screw		
13	830389	10660420	1	O-Ring	O-Ring		
14	830252	0145946	1	Entlueftungsventil	Air valve		
15	022452	0029010	1	Dichtring	Seal ring		

F/S/FA Series O&K Travelling Reducer /Rotary Reducer /Cutting Reducer

TRANSMISSION F100/192V107F/MB
326493



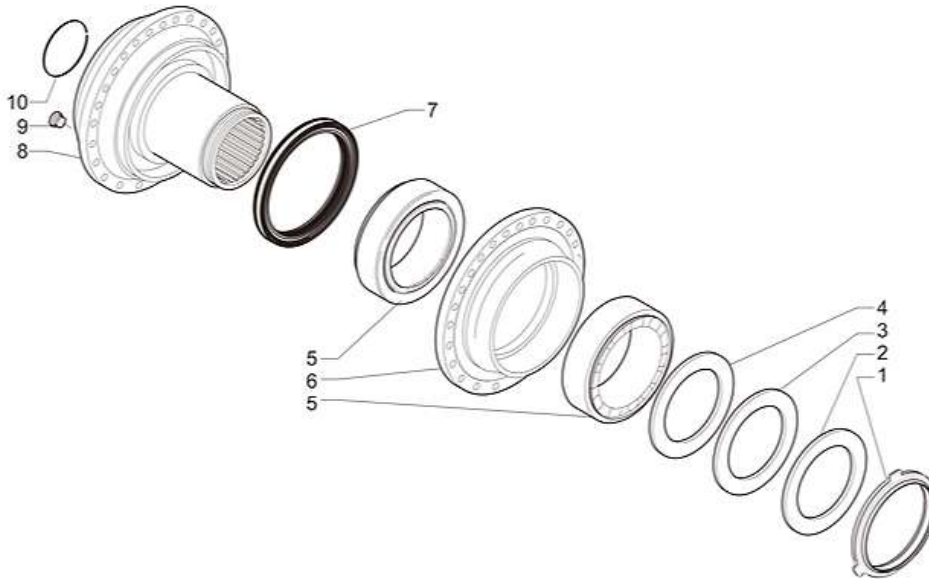
GETRIEBE
TRANSMISSION



Pos.	Ref.	Old Ref.	Q.ty	Benennung	Description	Kit	Note
1	832312	1950455	1	Bremse kpl.	Brake Assy		
1.1	836478	1950414	1	Hülse	Sleeve	832312	
1.2	866900	1487287	2	Aussenkörper	Outer Body	832312	
1.3	831944	1444868	1	Kolben	Piston	832312	
1.4	831945	1444869	1	Zylinderdeckel	Cylinder cover	832312	
1.5	831946	1444870	10	Außenlamelle	Outer Disc	832312	
1.6	831947	1444871	9	Innenlamelle	Inner Disc	832312	
1.7	831957	1447226	14	Feder	Spring	832312	
1.8	831958	1447227	14	Druckfeder	Pressure Spring	832312	
1.9	024816	0012508	1	Sicherungsring	Circlip	832312	
1.10	024940	0012540	1	Sicherungsring	Circlip	832312	
1.11	831948	1444872	1	Dichtung	Gasket	832312	
1.12	831949	1444873	1	Dichtung	Gasket	832312	
1.13	025771	0102982	1	Kegelrollenlager	Roller Bearing	832312	
1.14	020170	0039907	2	Stützscheibe	Washer	832312	
1.15	867856	2894032	2	O-Ring	O-Ring	832312	
1.16	867857	2894033	2	Stützring	Support Ring	832312	

O&K

F/S/FA Series O&K Travelling Reducer /Rotary Reducer /Cutting Reducer

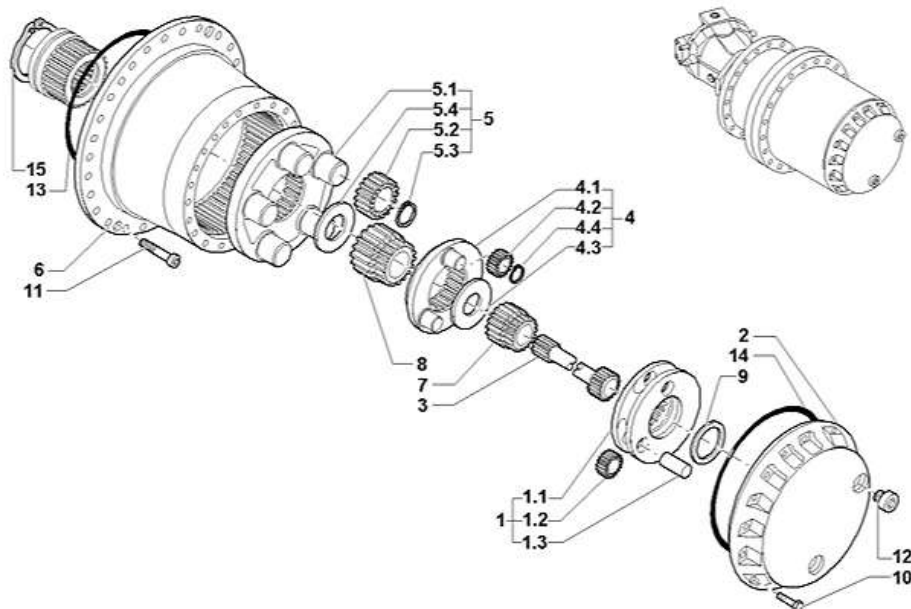


Pos.	Ref.	Old Ref.	Q.ty	Benennung	Description	Kit	Note
1	833673	2759494	1	Mutter	Ring nut		
2	021811	2739879	1	Passscheibe	Shim Ring		
3	021829	2781751	1	Passscheibe	Shim Ring		
4	020832	1725437	1	Einstellring	Shim Ring		
5	832156	1717528	2	Kegelrollenlager	Roller Bearing		
6	833672	2759464	1	Nabe	Hub		
7	830188	0044241	1	Gleitringdichtung	Duo-Cone Seal		
8	837755	2494874	1	Tragrohr	Hub		
9	831870	1350997	1	Verschlußschraube	Screw Plug		
10	830829	2494879	1	Sprengring	Circlip		

TRANSMISSION F100/192/V107F/MB
326493



GETRIEBE
TRANSMISSION



F/S/FA Series O&K Travelling Reducer /Rotary Reducer /Cutting Reducer

Pos.	Ref.	Old Ref.	Q.ty	Benennung	Description	Kit	Note
1	861919	1950452	1	Träger kpl	Planetary Carrier Assy		
1.1	839038	1950451	1	Träger	Planetary Carrier	861919	
1.2	863026	1950434	3	Stirnrad kpl	Spur Gear Assy	861919	
1.3	836234	1753133	3	Bolzen	Pin	861919	
2	839040	1950460	1	Deckel	Cover		
3	836481	1950457	1	Ritzel	Pinion gear		
4	863453	1950424	1	Planetenträger kpl	Planetary Carrier assy		
4.1	839035	1950417	1	Planetenträger	Planetary Carrier	863453	
4.2	863533	1950435	3	Stirnrad kpl	Spur Gear Assy	863453	
4.3	836222	1751132	1	Scheibe	Disk/Washer	863453	
4.4	020032	0012491	3	Sicherungsring	Circlip	863453	
5	863452	1950415		Planetenträger kpl	Planetary Carrier assy		
5.1	839032	1950401	1	Träger	Planetary Carrier	863452	
5.2	863532	1950411	5	Stirnrad kpl	Spur Gear Assy	863452	
5.3	024816	0012508	5	Sicherungsring	Circlip	863452	
5.4	836223	1751144	1	Scheibe	Disk/Washer	863452	
6	839031	1950399	1	Hohlrad	Crown Gear		
7	333729	1950421	1	Stirnrad	Spur Gear		
8	333730	1950422	1	Stirnrad	Spur Gear		
9	836516	1976742	1	Scheibe	Disk/Washer		
10	020315	0070241	15	Schraube	Screw		
11	020352	0119724	2	Zylinderschraube	Cylinder Head Screw		
12	831870	1350997	3	Verschlussschraube	Screw Plug		
13	830440	0899419	1	Runddichtring	O-Ring		
14	830441	0899729	1	Runddichtring	O-Ring		
15	020045	0012563	1	Sicherungsring	Circlip		