

Intermot Piston Motor

IAC H Series Intermot Among Intermot
fixed-displacement Range Motors

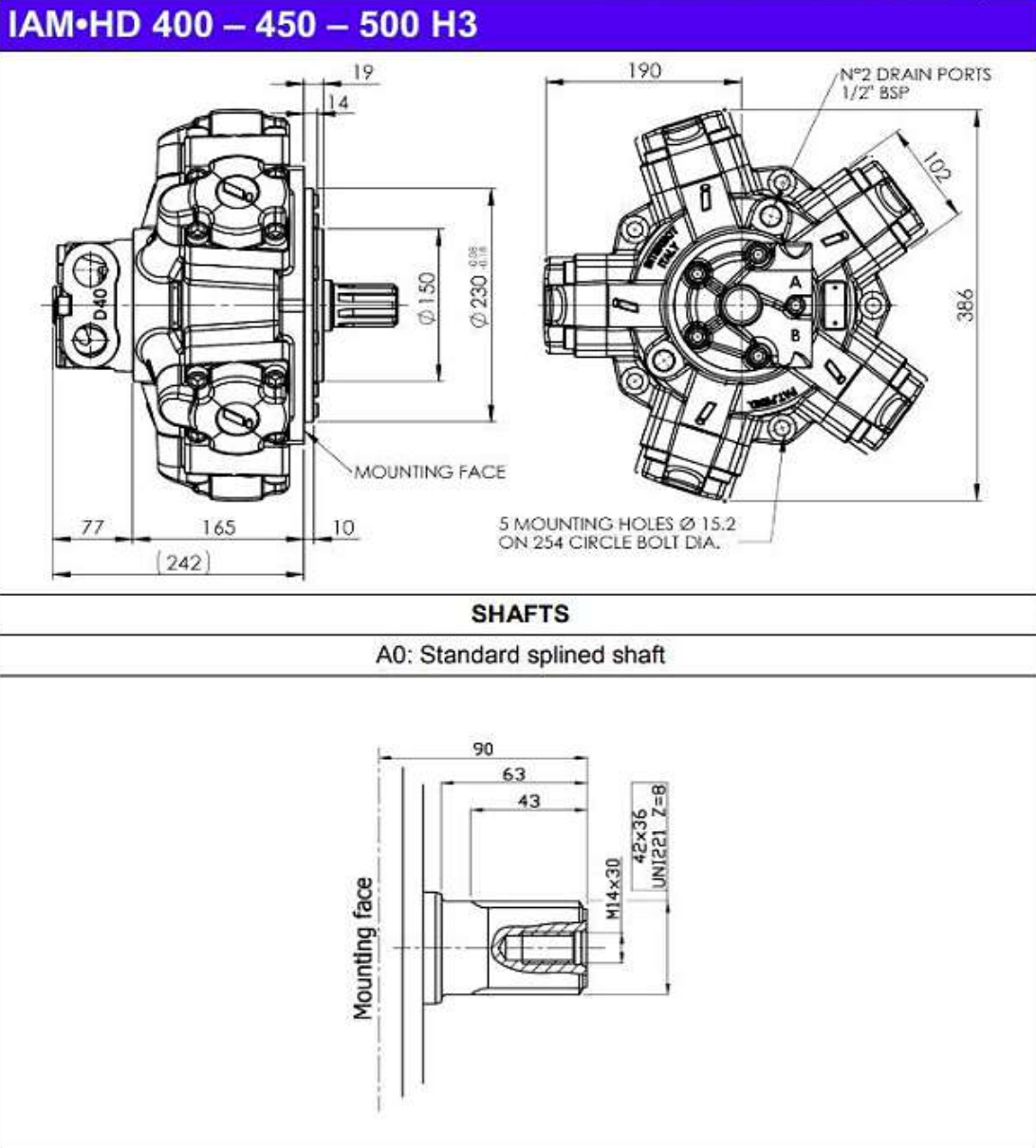


Model:IAC H1/H3/H4/H5/H6/H7
Name: Orbital Motors Piston Motors
Motor Type:Orbital Motors
Nominal Pressure: 12.4Bar
Place of Origin:Zhejiang, China
Power:Hydraulic Packaging & Delivery
Working pressure range:128.3 Bar
control mode:Pressure flow control
Material:cast iron
Operating mode:closed circuits
Warranty:1 Year
Minimum Order : 1 Pieces
Supply Ability : 1500 Piece/ Month
Sample>Contact us for free samples

Intermot Piston Motor

IAC H Series Intermot Among Intermot
fixed-displacement & range Motors

IAM•HD H3 Dimensional drawings



Intermot Piston Motor

IAC H Series Intermot Among Intermot
fixed-displacement & Range Motors

MODEL	N° of pistons	Displacement	Specific Torque	Pressure			Speed		Max Power	Dry Mass	Max case pressure	Max back pressure	Temperature range	
				Max Cont.	Max Int.	Peak	Max Cont.	Peak						
		cm ³ /rev	Nm/bar	bar			rpm		kW	kg	bar	bar	°C	
IAM•HD H3	400	5	397	6.3	270	320	350	750	860	120	68	6	70	-30 ÷ +70
	450		452	7.2	270	320	350	750	760	120				
	500		491	7.8	270	320	350	750	690	120				

Intermot Piston Motor

&



Model:IHM H1/H1.5/2/H3/H4/H5/H6/H7

Name: MP1 Closed axial piston motors

Motor Type:Axial Piston Motors

Nominal Pressure: 12.4Bar

Place of Origin:Zhejiang, China

Power:Hydraulic Packaging & Delivery

Working pressure range:128.3 Bar

control mode:Pressure flow control

Material:cast iron

Operating mode:closed circuits

Warranty:1 Year

Minimum Order : 1 Pieces

Supply Ability : 1000 Piece/ Month

Intermot Piston Motor

IHM H Series Intermot Among Intermot fixed-displacement range Motors

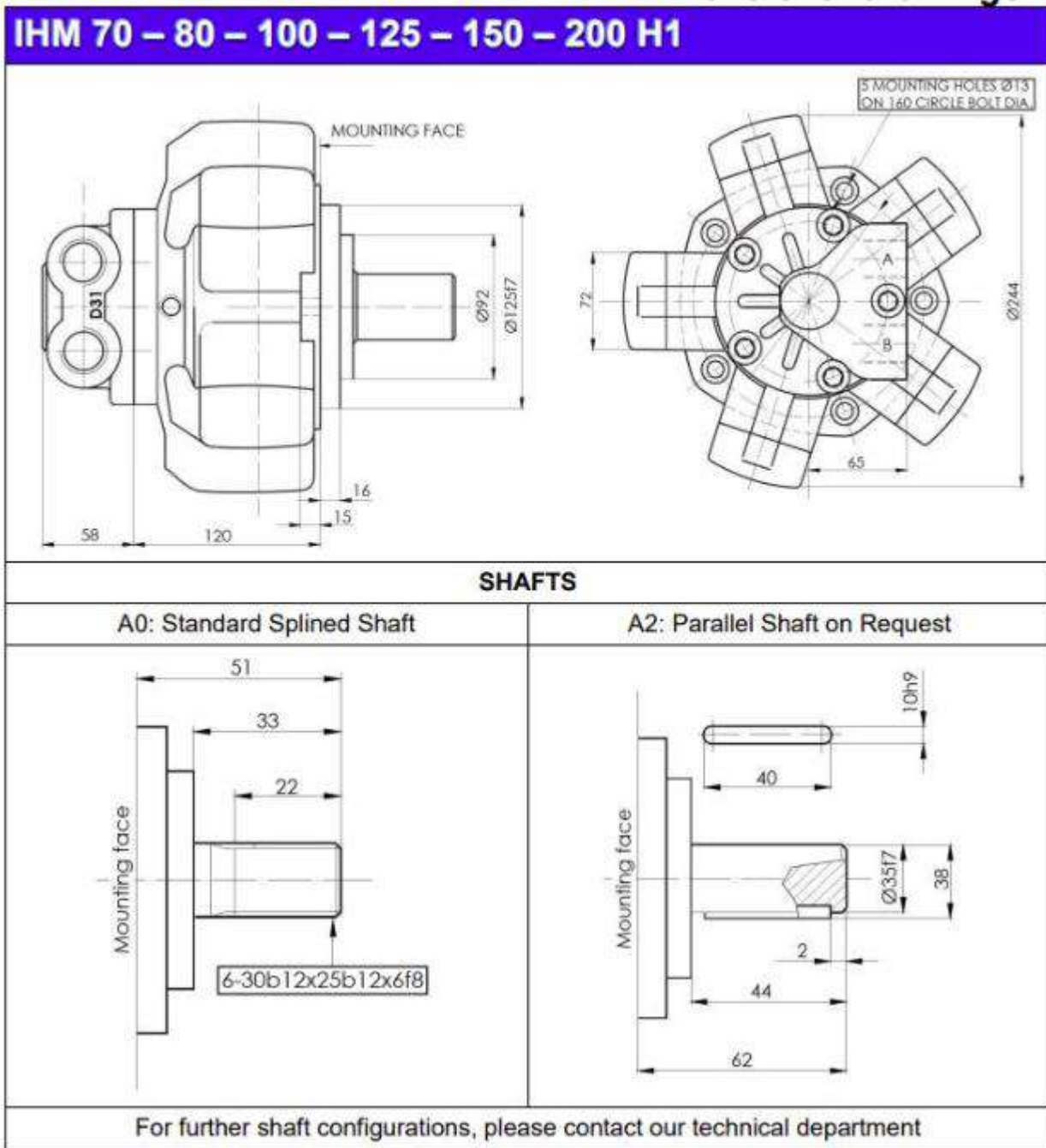
IHM H1 Technical data

MODEL	N° of pistons	Displacement cm ³ /rev	Pressure		Speed		Torque		Dry Mass kg	
			Max Cont.	Peak	Minimum speed	Max speed	Rated	Specific		
			bar		rpm		Nm	Nm/MPa		
IHM H1	70	5	77	250	320	15	1500	284	11	20
	80		91	250	320	15	1250	335	13	
	100		96	250	320	15	1000	355	14	
	125		126	200	250	15	1000	371	19	
	150		159	160	200	15	1000	376	24	
	200		196	160	200	15	800	464	29	

Intermot Piston Motor

IHM H Series Intermot Among Intermot fixed-displacement range Motors

IHM H1 Dimensional drawings



Intermot Piston Motor

MCB195/MCB530 Series Kawasaki Shaft With Flow Motor



Model: MCB195/MCB530

Name: Two-Speed Travel Motor

Motor Type: Walking Motor For Construction Machinery

Nominal Pressure: 29.4 Mpa

size: 63-180

Power: Hydraulic Packaging & Delivery

Working pressure range: 34.3 Mpa

control mode: Pressure flow control

Material: cast iron

Operating mode: open and closed circuits

Warranty: 1 Year

Minimum Order : 1 Pieces

Supply Ability : 1500 Piece/ Month

Place of Origin: Zhejiang, China

Sample: Contact us for free samples

Intermot Piston Motor

MCB195/MCB530 Series Kawasaki Shaft With Flow Motor

model		SB 500M	SB 505	HMKC 046	HMKC 075	HMKC 080	HMKC 200	HMC 270	HMC 325
displacement(cm3)	100%	492	492	745	1,241	1,475	3,087	4,588	5,326
	50%	246	246	410	574	737	1,470	2,294	2,622
Pressure (MPa [kgf/cm2])	rated	17.2 [175]	20.6 [210]					24.5 [250]	20.6 [210]
	highest	20.6 [210]	24.5 [250]					27.5 [280]	24.5 [250]