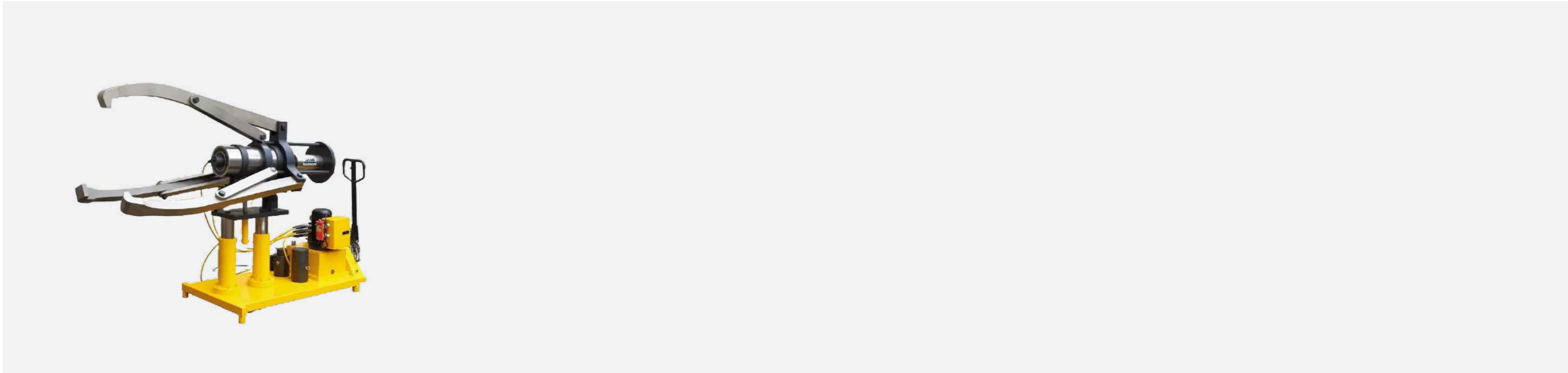


AMP Series, 100-600 Ton, Hydraulic Heavy Duty Puller



Product description:

Model: AMP

Capacity: 100-600 Ton

Stroke: 200-350 mm

Reach: 375-1000 mm

Spread: 200-500 mm

Maximum Operating Pressure: 700 bar/10000 PSI

Weight: 720-2500 kg

Manufacturer: SAIVS

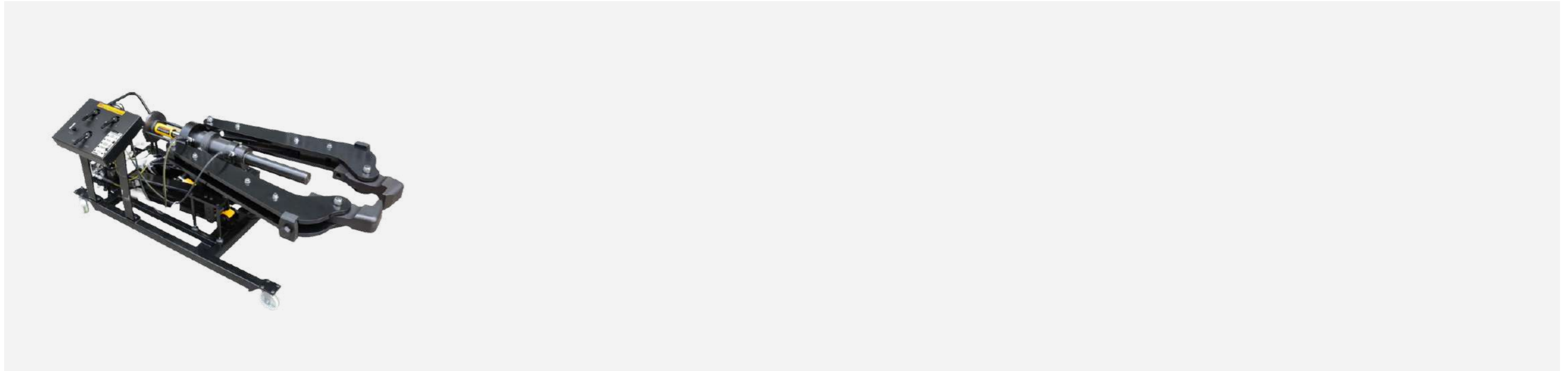
Country of Origin: China

Minimum Order: 1 Piece

Brand Name: Replacement Enerpac's AMP

Model	Capacity(Ton)	Min. Spread(mm)	Max. Spread(mm)	Max. Reach(mm)	Min. Reach(mm)	Stroke(mm)	Weight(Kg)
AMP100	100 Ton 981 KN	200	1000	450	375	200 mm 7.87 inches	720 1587.6 lbs
AMP200	200 Ton 1961 KN	300	1500	680	550	250 mm 9.84 inches	1300 2866.0 lbs
AMP300	300 Ton 2942 KN	400	1800	980	750	300 mm 11.81 inches	1820 4012.4 lbs
AMP500	500 Ton 4903 KN	500	2000	1050	920	350 mm 13.78 inches	2100 4629.7 lbs
AMP600	600 Ton 5884 KN	500	2000	1250	1000	350 mm 13.78 inches	2500 5511.6 lbs

PH,2 Jaws 3 Jaws,100 200 Ton, Hydraulic Heavy Duty Puller



Product description:

Model:PH

Capacity: 933-1861 kN

Stroke: 300 mm

Reach: 803-880 mm

Spread: 140-1580 mm

Maximum Operating Pressure: 700 bar/10000 PSI

Weight: 1.1-1.6 kg

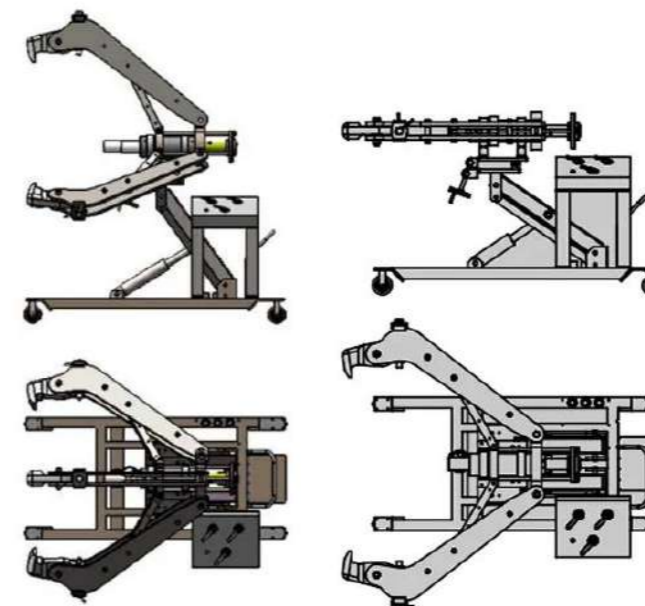
Number of Jaws: 2/3

Manufacturer: SAIVS

Country of Origin: China

Minimum Order: 1 Piece

Brand Name:Replacement Enerpac's PH



PH1002,100 Ton 250 mm,2 Jaws Hydraulic Heavy Duty Puller



Product description:

Model: PH1002
Capacity: 100 T
Stroke: 250 mm
Reach: 860-1060 mm
Spread: 381-1219 mm
Pressure Gauge display: 700 bar/10000 PSI
Weight: 550 kg
Number of Jaws: 2
Manufacturer: SAIVS
Country of Origin: China
Minimum Order: 1 Piece
Brand Name: Replacement Enerpac's PH1002

Product description:

Model: PH553B/PH553C
Capacity: 55 T
Reach: 280-720 mm
Spread: 75-1250 mm
Voltage(V): AC 220
Frequency(Hz): 50
Power(KV): 1.5
Number of Jaws: 2/3
Maximum Operating Pressure: 700 bar/10000 PSI
Manufacturer: SAIVS
Country of Origin: China
Minimum Order: 1 Piece
Brand Name: Replacement Enerpac's PH553B/PH553C