

ZCW-600 Fixed Torque Electric Shear Wrench

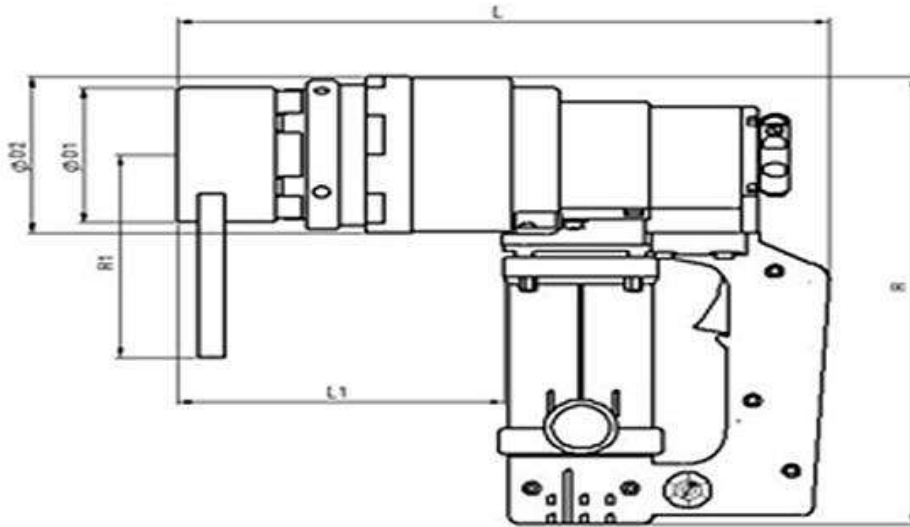


Model Number: ZCW-600
Rated Voltage: 220-240v
Max power consumption: 1200w
Max torque: 600N.m
Main body weight: 4.9KG
Ro speed (r/min): 16
Aptable bolt dia: M16, M20, M22
Protection level: double insulation
Controller: Built-in controller

ZCW-600 Fixed Torque Electric Shear Wrench

Fixed Torque Electric Shear Wrench								
Model Number	Rated Voltage	Max. Current	Max. Power	Ro Speed	Weight	Bolt Type	Torque Range	Max. Diameter
		A	W	r/min	kg		Nm	mm
ZCW-600	220-240	5.5	1200	16	4.9	M16 M20 M22	250-600	Φ78

Unit	Model Number	L	L1	D1	D2	H
mm	ZCW-600	213	62	64	79	267



ZCW-1000 Fixed Torque Electric Shear Wrench



Model Number : ZCW-1000

Rated Voltage:220-240v

Max power consumption: 1200w

Max torque: 1000N.m

Main body weight:6.3KG

Ro speed(r/min): 12

Aaptable bolt dia: M20, M22, M24

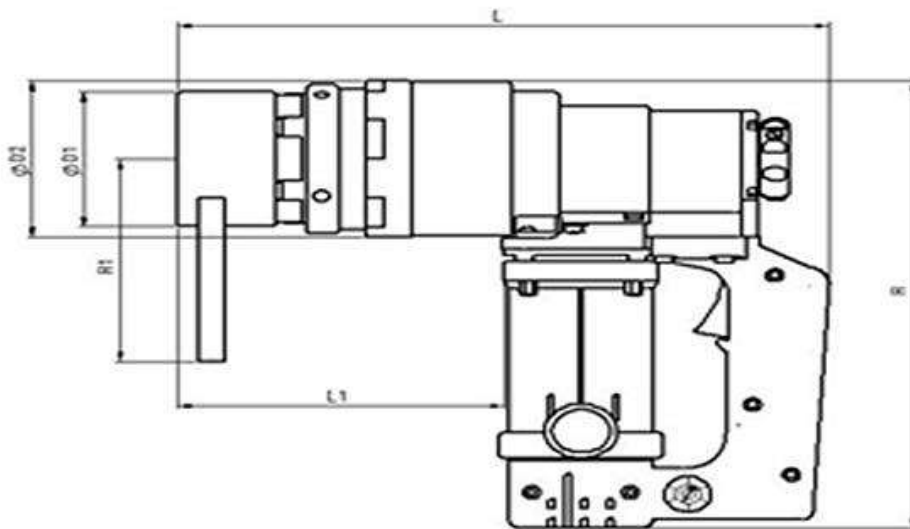
Protection level: double insulation

Controller: Built-in controller

ZCW-1000 Fixed Torque Electric Shear Wrench

Fixed Torque Electric Shear Wrench								
Model Number	Rated Voltage	Max. Current	Max. Power	Ro Speed	Weight	Bolt Type	Torque Range	Max. Diameter
		A	W	r/min			Nm	mm
ZCW-1000	220-240	5.5	1200	12	6.3	M20 M22 M24	300-1000	Φ85

Unit	Model Number	L	L1	D1	D2	H
mm	ZCW-1000	246	150	84	90	280



ZCW-1500 Fixed Torque Electric Shear Wrench



Model Number : ZCW-1500

Rated Voltage:220-240v

Max power consumption: 1200w

Max torque: 1500N.m

Main body weight:6.8KG

Ro speed(r/min): 10

Aptable bolt dia: M22, M24, M27

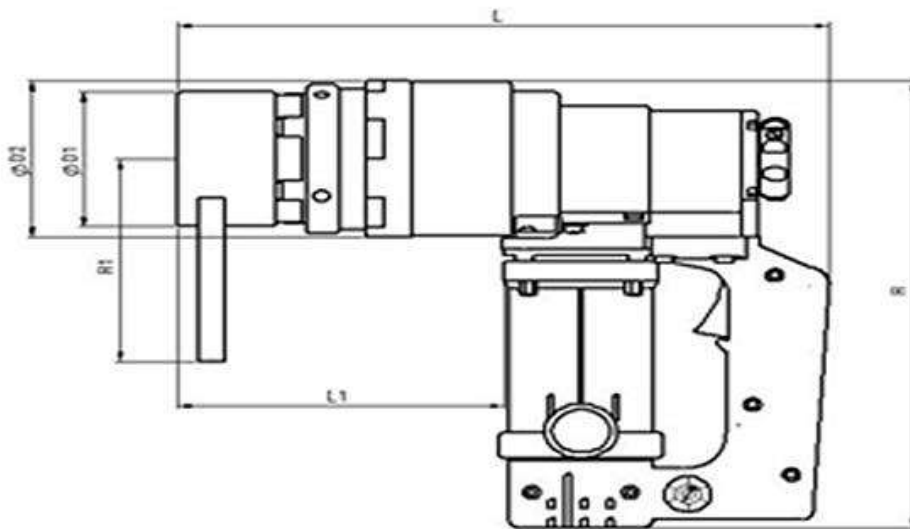
Protection level: double insulation

Controller: Built-in controller

ZCW-1500 Fixed Torque Electric Shear Wrench

Fixed Torque Electric Shear Wrench								
Model Number	Rated Voltage	Max. Current	Max. Power	Ro Speed	Weight	Bolt Type	Torque Range	Max. Diameter
		A	W	r/min	kg		Nm	mm
ZCW-1500	220-240	5.5	1200	10	6.8	M22 M24 M27	500-1500	Φ85

Unit	Model Number	L	L1	D1	D2	H
mm	ZCW-1500	256	100	84.5	98	280



ZCW-2100 Fixed Torque Electric Shear Wrench



Model Number : ZCW-2100
Rated Voltage:220-240v
Max power consumption: 1200w
Max torque: 2100N.m
Main body weight:7.5KG
Ro speed(r/min): 10
Aaptable bolt dia: M27, M30
Protection level: double insulation
Controller: Built-in controller

ZCW-2100 Fixed Torque Electric Shear Wrench

Fixed Torque Electric Shear Wrench								
Model Number	Rated Voltage	Max. Current	Max. Power	Ro Speed	Weight	Bolt Type	Torque Range	Max. Diameter
		A	W	r/min	kg		Nm	mm
ZCW-2100	220-240	5.5	1200	10	7.5	M27 M30	800-2100	Φ85

Unit	Model Number	L	L1	D1	D2	H
mm	ZCW-2100	265	110	84.5	98	280

